

# WAVE SENSOR KITS – URINALS & TOILETS

## APPLICATION

The Wave On-Off sensor kit allows the activation of a product by placing a hand within close distance of the sensor. Activating the water flow on demand eliminates undesired activations while keeping all the benefits and advantages of the standard Stern infrared sensor. The Wave On-Off sensor includes a smart PCB unit with default sensor range, flow time, security time, delay in time and delay out time settings that are adjustable using the Stern remote control. Duty flush for Legionella prevention and Anti-freezing function also available upon request.



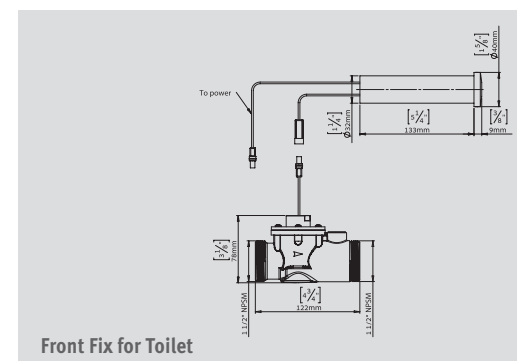
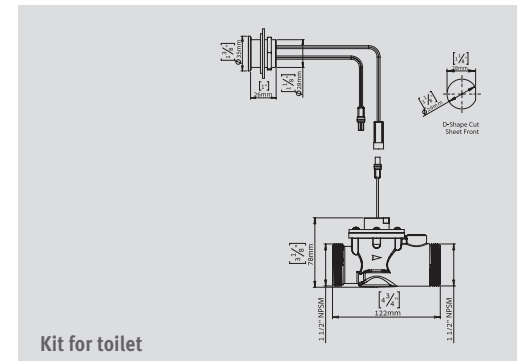
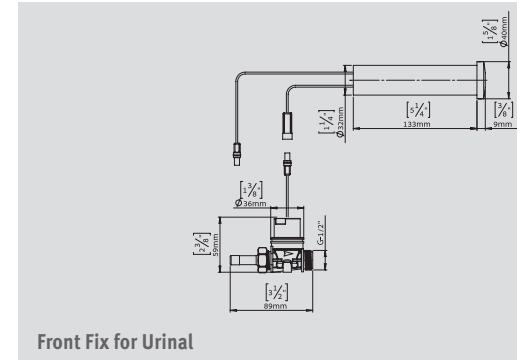
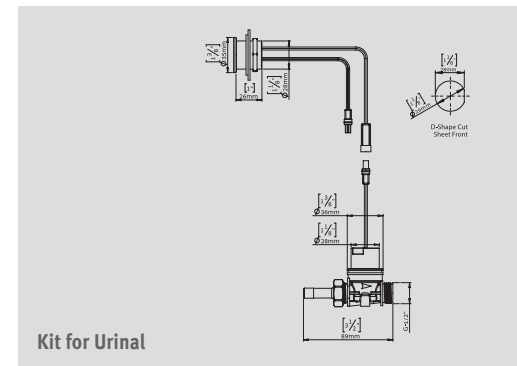
Flush valve body with solenoid valve for WC



Solenoid valve for Urinal

## ORDERING INFORMATION

MODEL	OPERATION	INTEGRATION	POWER SOURCE OPTIONS (not included)	CODE
Wave On/Off Kit for Urinal	The urinal flush is activated automatically when the user places their hand within close distance of the sensor. Flush duration 6 seconds.	Wave sensor in brass body with waterproof connector, solenoid valve kit with housing, filter and filter adapter.	6 X 1.5V AA batteries / 9V transformer	620500
Wave On/Off Kit Front Fix for Urinal	Wave solution for concealed installation in brick walls. The urinal flush is activated automatically when the user places their hand within close distance of the sensor. Flush duration 6 seconds.	Wave sensor in brass body with waterproof connector, solenoid valve kit with housing, filter and filter adapter.	6 X 1.5V AA batteries / 9V transformer	620440
Wave On/Off Kit for Toilet	The toilet flush is activated automatically is activated automatically when the user places their hand within close distance of the sensor. Flush duration 2.4 seconds.	Wave sensor in brass body with waterproof connector and flush valve body with solenoid valve.	6 X 1.5V AA batteries / 9V transformer	620600
Wave On/Off Kit Front Fix for Toilet	Wave solution for concealed installation in brick walls. The toilet flush is activated automatically is activated automatically when the user places their hand within close distance of the sensor. Flush duration 2.4 seconds.	Wave sensor in brass body with waterproof connector and flush valve body with solenoid valve.	6 X 1.5V AA batteries / 9V transformer	620450



## ADVANTAGES



LEED RATING



GERM FREE



ADJUSTABLE SETTINGS



EASY TO INSTALL



WAVE & PROX OPTIONS



ADA DESIGNED

## APPROVALS



777 Passaic Avenue  
Clifton NJ, 07012

USA: [sternusa@sternfaucets.com](mailto:sternusa@sternfaucets.com)  
International: [info@sternfaucets.com](mailto:info@sternfaucets.com)

Toll Free: 1-800-4364410

[www.sternfaucets.com](http://www.sternfaucets.com)